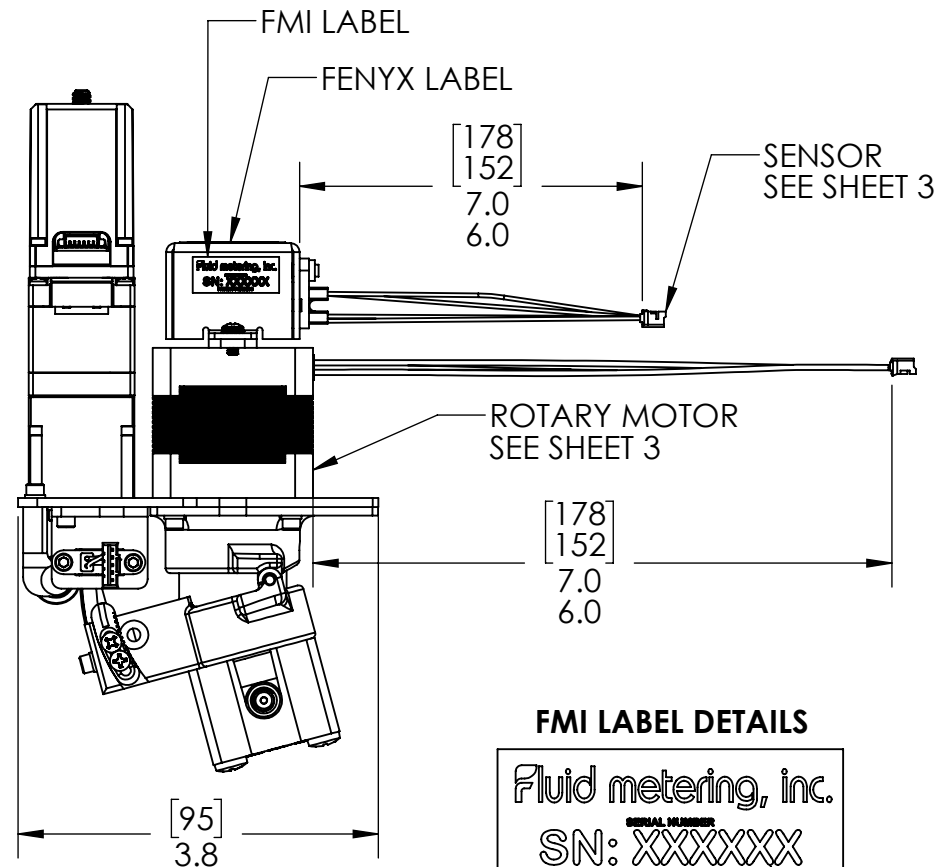
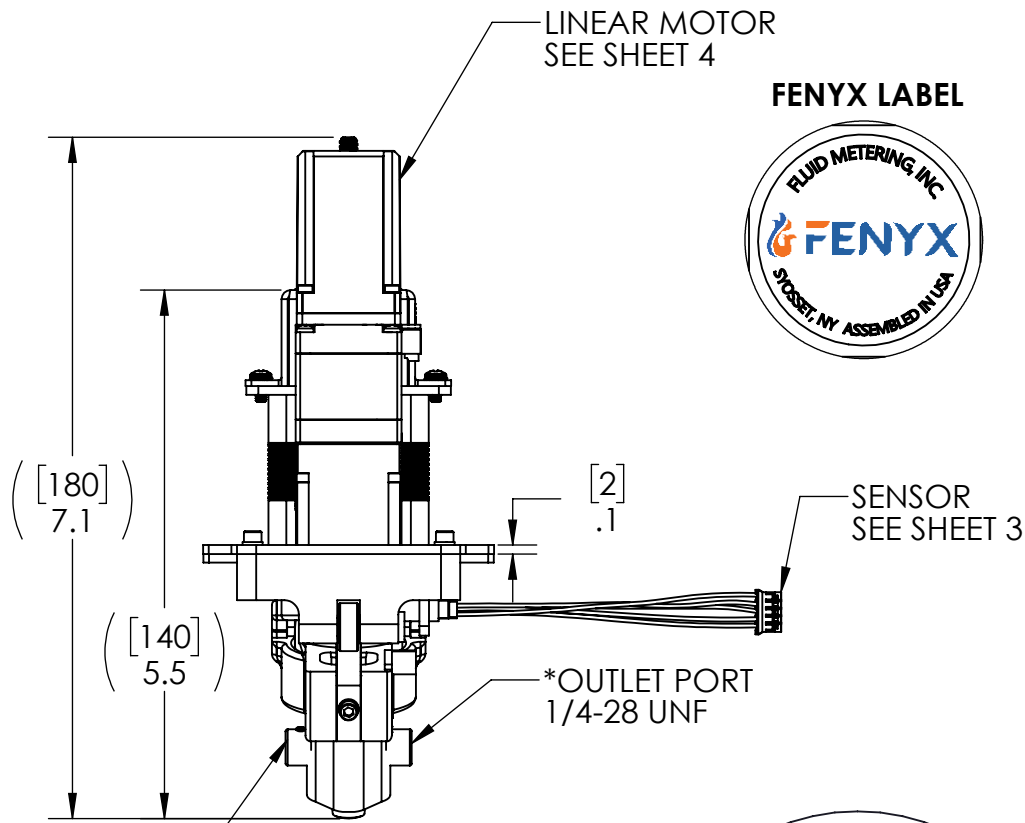
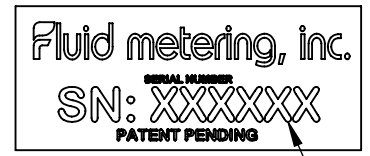


DIMENSIONS AND MOUNTING



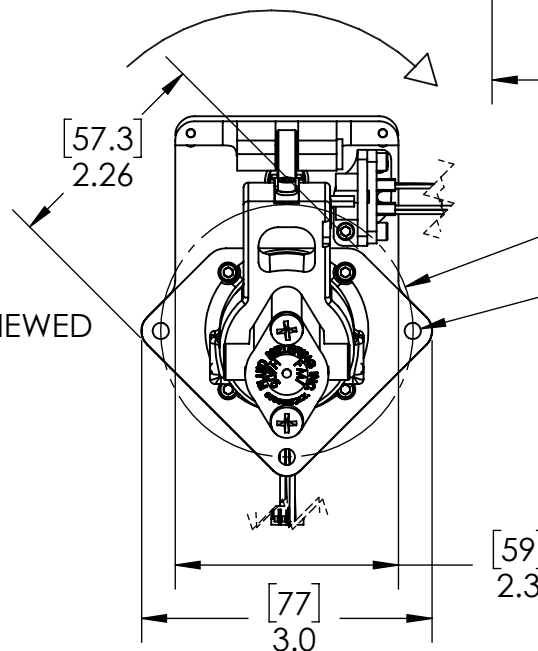
FMI LABEL DETAILS



SERIAL NUMBER

FMI P/N 400831-200

*INLET/OUTLET BASED ON
CLOCKWISE ROTATION VIEWED
FROM THIS END.



NOTICE TO PERSONS RECEIVING THIS DRAWING

FLUID METERING INC. CLAIMS PROPRIETARY RIGHTS IN THE MATERIAL DISCLOSED HEREON. THIS DRAWING IS LOANED IN CONFIDENCE FOR INFORMATIONAL PURPOSES ONLY AND MAY NOT BE REPRODUCED, DISTRIBUTED, SOLD, RELENT, OR USED TO MANUFACTURE ANYTHING SHOWN HEREON WITHOUT DIRECT PRIOR WRITTEN PERMISSION FROM FLUID METERING, INC. TO THE USER. THIS DRAWING IS LOANED FOR MUTUAL ASSISTANCE AND REMAINS THE PROPERTY OF FLUID METERING, INC. IT IS SUBJECT TO RECALL AT ANY TIME.

TOLERANCES .X = ±.06 [1.5]
UNLESS OTHERWISE .XX = ±.02 [0.5]
SPECIFIED .XXX = ±.01 [0.25]

UNITS ARE IN INCHES
[millimeters]

DRAWN BY	RH	DATE	03/08/24
CHECKED BY	NM	DATE	03/08/24
APPVD BY	RH	DATE	03/08/24

Fluid metering, inc.
5 Aerial Way, Suite 500, Syosset, NY 11791
800.223.3388 P: 516.922.6050 F: 516.624.8261 www.fluidmetering.com

TITLE		FENYX-200	
DWG NO.	REV		
600447	A	SHT NO 1 of 4	

PUMP PERFORMANCE AND SPECIFICATIONS

DISPENSE VOLUME CAN BE ADJUST BETWEEN 2 μ L AND 200 μ L.
 EACH CCW STEP OF THE LINEAR ACTUATOR INCREASES THE DISPENSE VOLUME BY APPROXIMATELY 39 nL.
 PUMP TESTED WITH HIGH PURITY WATER.
 PUMP CAN WORK IN REVERSE FLOW CONDITION THE SAME AS IN THE CLOCKWISE DIRECTION.

MAX OPERATING PRESSURE: 30 PSI
 MAX FLUID WORKING TEMPERATURE: 100°C

LIFE EXPECTANCY AND PUMP MAINTENANCE:
 DEPENDENT ON APPLICATION. CONSULT FACTORY.

FLUID PATH MATERIALS

- PTFE IMPREGNATED CERAMIC (ALUMINA)
- PVDF
- UHMW-PE
- FKM

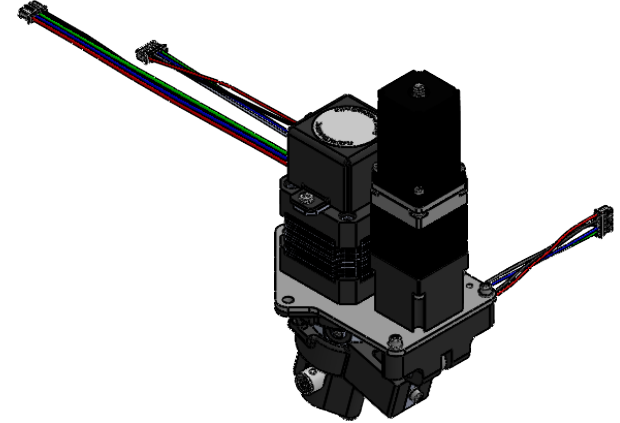
SEAL MATERIALS

- UHMW-PE
- FKM

WEIGHT: 1.3 lbs.

CERTIFICATIONS: REACH, RoHS


NOTE: LINEAR AND ROTARY MOTORS SHOULD NOT BE RUN AT THE SAME TIME.



FMI P/N 400831-200

NOTICE TO PERSONS RECEIVING THIS DRAWING

FLUID METERING INC. CLAIMS PROPRIETARY RIGHTS IN THE MATERIAL DISCLOSED HEREON. THIS DRAWING IS LOANED IN CONFIDENCE FOR INFORMATIONAL PURPOSES ONLY AND MAY NOT BE REPRODUCED, DISTRIBUTED, SOLD, RELENT, OR USED TO MANUFACTURE ANYTHING SHOWN HEREON WITHOUT DIRECT PRIOR WRITTEN PERMISSION FROM FLUID METERING, INC. TO THE USER. THIS DRAWING IS LOANED FOR MUTUAL ASSISTANCE AND REMAINS THE PROPERTY OF FLUID METERING, INC. IT IS SUBJECT TO RECALL AT ANY TIME.

TOLERANCES .X = ± 0.06 [1.5] UNLESS OTHERWISE .XX = ± 0.02 [0.5] SPECIFIED .XXX = ± 0.01 [0.25]					
UNITS ARE IN INCHES [millimeters]			5 Aerial Way, Suite 500, Syosset, NY 11791 800.223.3388 P: 516.922.6050 F: 516.624.8261 www.fluidmetering.com		
DRAWN BY	RH	DATE	<h2 style="margin: 0;">FENYX-200</h2>		
CHECKED BY	NM	DATE			
APPVD BY	RH	DATE			
		03/08/24	DWG NO.	REV	
		03/08/24	600447	A	SHT NO 2 of 4

ELECTRICAL SPECIFICATIONS

TABLE 1: ROTARY MOTOR WIRING

MOTOR WIRING		
JST PIN #	COLOR	PHASE
1	RED	A
2	BLUE	\bar{A}
3	GREEN	B
4	BLACK	\bar{B}

JST CONNECTOR HOUSING PHR-4

TABLE 2: ROTARY MOTOR SWITCHING SEQUENCE

MOTOR SWITCHING SEQUENCE					
C.W.	STEP	A	\bar{A}	B	\bar{B}
	4	-	+	+	-
	3	-	+	-	+
	2	+	-	-	+
	1	+	-	+	-
	4	-	+	+	-

MOTOR ROTATION FROM NOTED VIEW ON SHEET 1

TABLE 3: ROTARY MOTOR CHARACTERISTICS

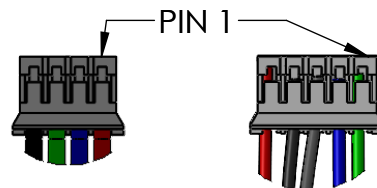
	CHARACTERISTIC	RATING
1	STEP ANGLE	1.8°
2	FRAME SIZE	NEMA 17
3	RATED CURRENT/PHASE	2 AMP
4	RESISTANCE/PHASE	1.1 OHMS ± 10%
5	INDUCTANCE/PHASE	2.26 mH ± 20%
6	ROTOR INERTIA	0.28 OZ-IN ²

TABLE 4: SENSOR WIRING

SENSOR WIRING		
JST PIN #	SIGNAL	WIRE COLOR
5	ANODE	RED
4	CATHODE	BLACK
3	Vcc	WHITE
2	OUTPUT	BLUE
1	GROUND	GREEN

JST CONNECTOR HOUSING PHR-5

4 PIN JST 5 PIN JST



FMI P/N 400831-200

NOTICE TO PERSONS RECEIVING THIS DRAWING

FLUID METERING INC. CLAIMS PROPRIETARY RIGHTS IN THE MATERIAL DISCLOSED HEREON. THIS DRAWING IS LOANED IN CONFIDENCE FOR INFORMATIONAL PURPOSES ONLY AND MAY NOT BE REPRODUCED, DISTRIBUTED, SOLD, RELENT, OR USED TO MANUFACTURE ANYTHING SHOWN HEREON WITHOUT DIRECT PRIOR WRITTEN PERMISSION FROM FLUID METERING, INC. TO THE USER. THIS DRAWING IS LOANED FOR MUTUAL ASSISTANCE AND REMAINS THE PROPERTY OF FLUID METERING, INC. IT IS SUBJECT TO RECALL AT ANY TIME.

TOLERANCES .X = ±.06 [1.5]
UNLESS OTHERWISE .XX = ±.02 [0.5]
SPECIFIED .XXX = ±.01 [0.25]

UNITS ARE IN INCHES
[millimeters]

DRAWN BY	RH	DATE	03/08/24
CHECKED BY	NM	DATE	03/08/24
APPVD BY	RH	DATE	03/08/24

Fluid metering, inc.

5 Aerial Way, Suite 500, Syosset, NY 11791
800.223.3388 P: 516.922.6050 F: 516.624.8261 www.fluidmetering.com

TITLE		FENYX-200	
DWG NO.	600447	REV	A
		SHT NO 3 of 4	

ELECTRICAL SPECIFICATIONS

TABLE 5: LINEAR MOTOR WIRING

MOTOR WIRING		
PIN	COLOR	PHASE
1	RED	A
2	BLUE	\bar{A}
3	GREEN	B
4	BLACK	\bar{B}

JST CONNECTOR HOUSING PHR-4

TABLE 6: LINEAR ACTUATOR SPECIFICATIONS

	CHARACTERISTIC	RATING
1	NUMBER OF PHASE	2
2	LINEAR TRAVEL/STEP	0.000125 IN (1.8°)
3	RATED CURRENT	1.0 AMP
4	HOLDING TORQUE	12.7 OZ-IN \pm 10%
5	PHASE RESISTANCE	2.7 OHM \pm 10% (20°C)
6	PHASE INDUCTANCE	2.50MH \pm 20% (1KHZ 1 V RMS)
7	ROTOR INERTIA	0.049 OZ-IN ²
8	WEIGHT	0.1 KG
9	INSULATION CLASS	B (130°C)
10	SCREW DIAMETER	0.184 IN
11	LEAD	0.0250 IN
12	OPERATING TEMPERATURE	-20°C TO 50°C


TABLE 7: LINEAR MOTOR SWITCHING SEQUENCE

MOTOR SWITCHING SEQUENCE					
	STEP	A	\bar{A}	B	\bar{B}
C.W.	1	-	+	+	-
	2	-	+	-	+
	3	+	-	-	+
	4	+	-	+	-

FMI P/N 400831-200

NOTICE TO PERSONS RECEIVING THIS DRAWING

FLUID METERING INC. CLAIMS PROPRIETARY RIGHTS IN THE MATERIAL DISCLOSED HEREON. THIS DRAWING IS LOANED IN CONFIDENCE FOR INFORMATIONAL PURPOSES ONLY AND MAY NOT BE REPRODUCED, DISTRIBUTED, SOLD, RELENT, OR USED TO MANUFACTURE ANYTHING SHOWN HEREON WITHOUT DIRECT PRIOR WRITTEN PERMISSION FROM FLUID METERING, INC. TO THE USER. THIS DRAWING IS LOANED FOR MUTUAL ASSISTANCE AND REMAINS THE PROPERTY OF FLUID METERING, INC. IT IS SUBJECT TO RECALL AT ANY TIME.

TOLERANCES UNLESS OTHERWISE SPECIFIED		.X = \pm 0.06 [1.5] .XX = \pm 0.02 [0.5] .XXX = \pm 0.01 [0.25]	 5 Aerial Way, Suite 500, Syosset, NY 11791 800.223.3388 P: 516.922.6050 F: 516.624.8261 www.fluidmetering.com	
UNITS ARE IN INCHES [millimeters]				
DRAWN BY	RH	DATE 03/08/24	TITLE <h2 style="margin: 0;">FENYX-200</h2>	
CHECKED BY	NM	DATE 03/08/24		
APPVD BY	RH	DATE 03/08/24		
DWG NO.		600447	REV A	SHT NO 4 of 4